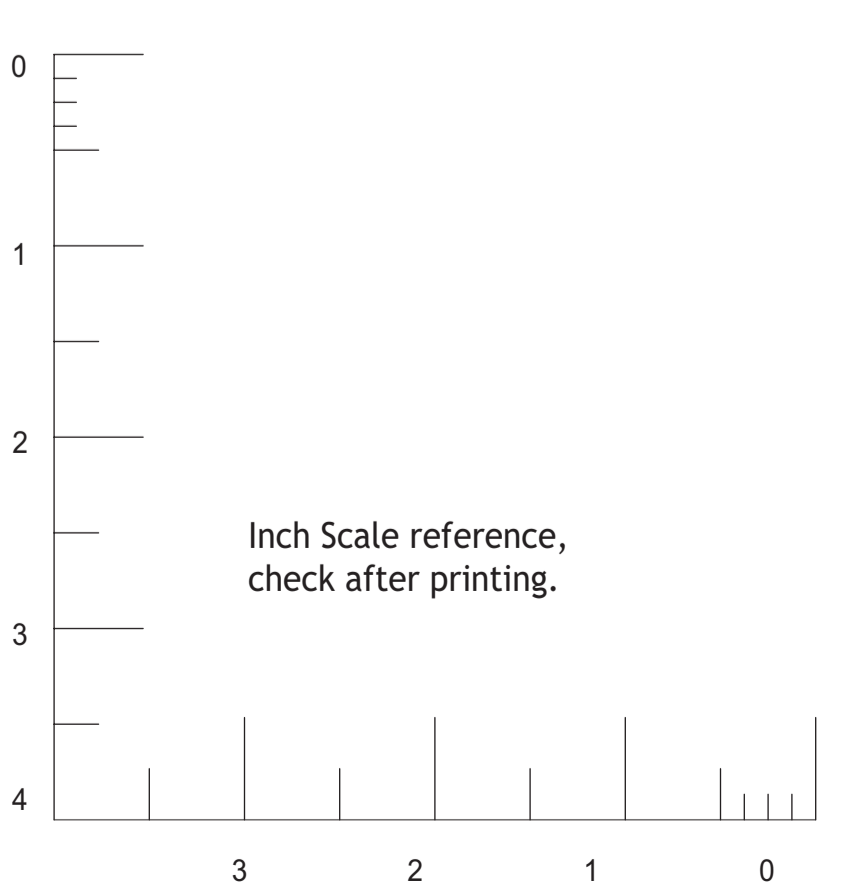
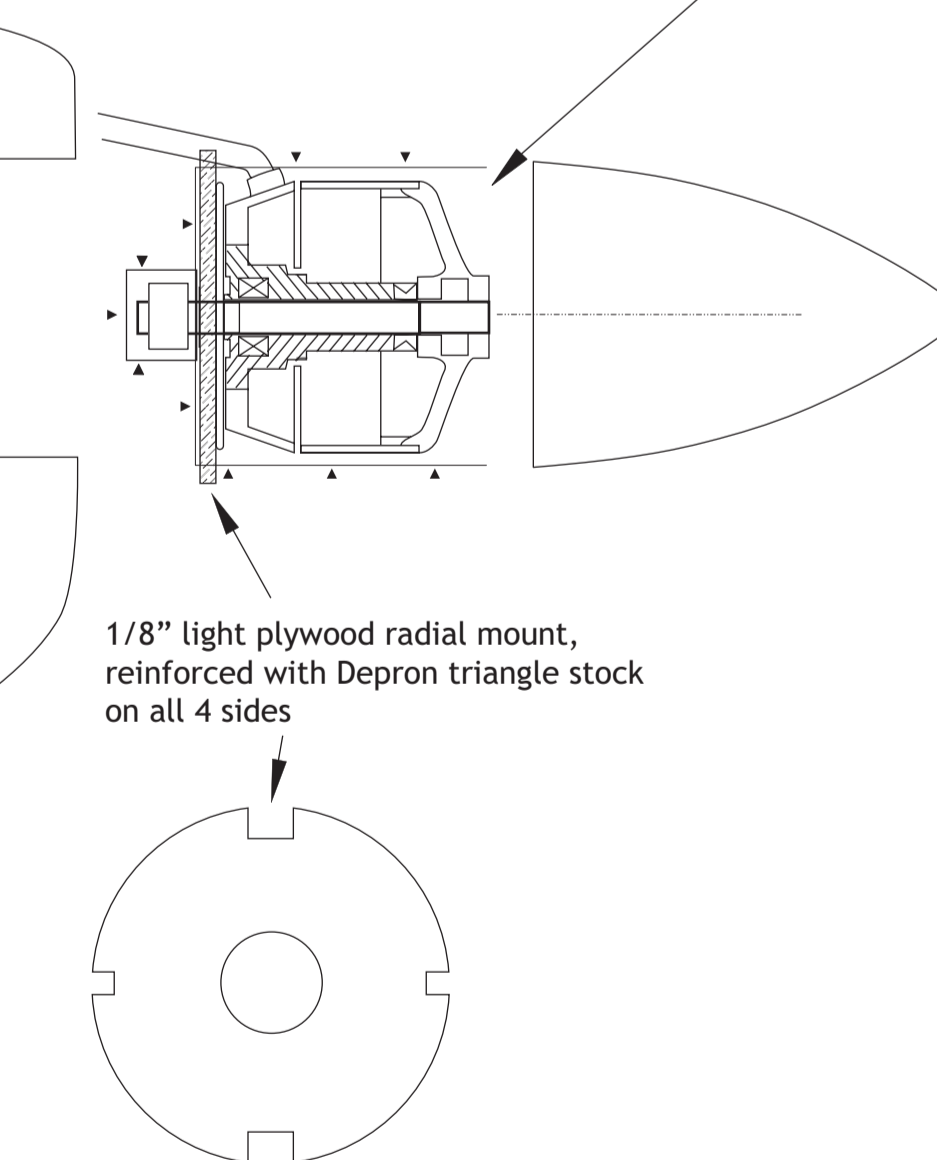


AXI Brushless Motor Shown

AXI 2212/34 External Rotor Brushless



EXTRA 330-3 D PARK FLYER SPECS

Wing Span..... 36"
 Length..... 34.5"
 Weight..... 12-13oz
 Power..... AXI 2212/34
 Prop..... GWS 12x4
 Ch..... 4
 Battery..... 3 Cell-700 to 1350mAh-Li-Poly

3D Batix.com

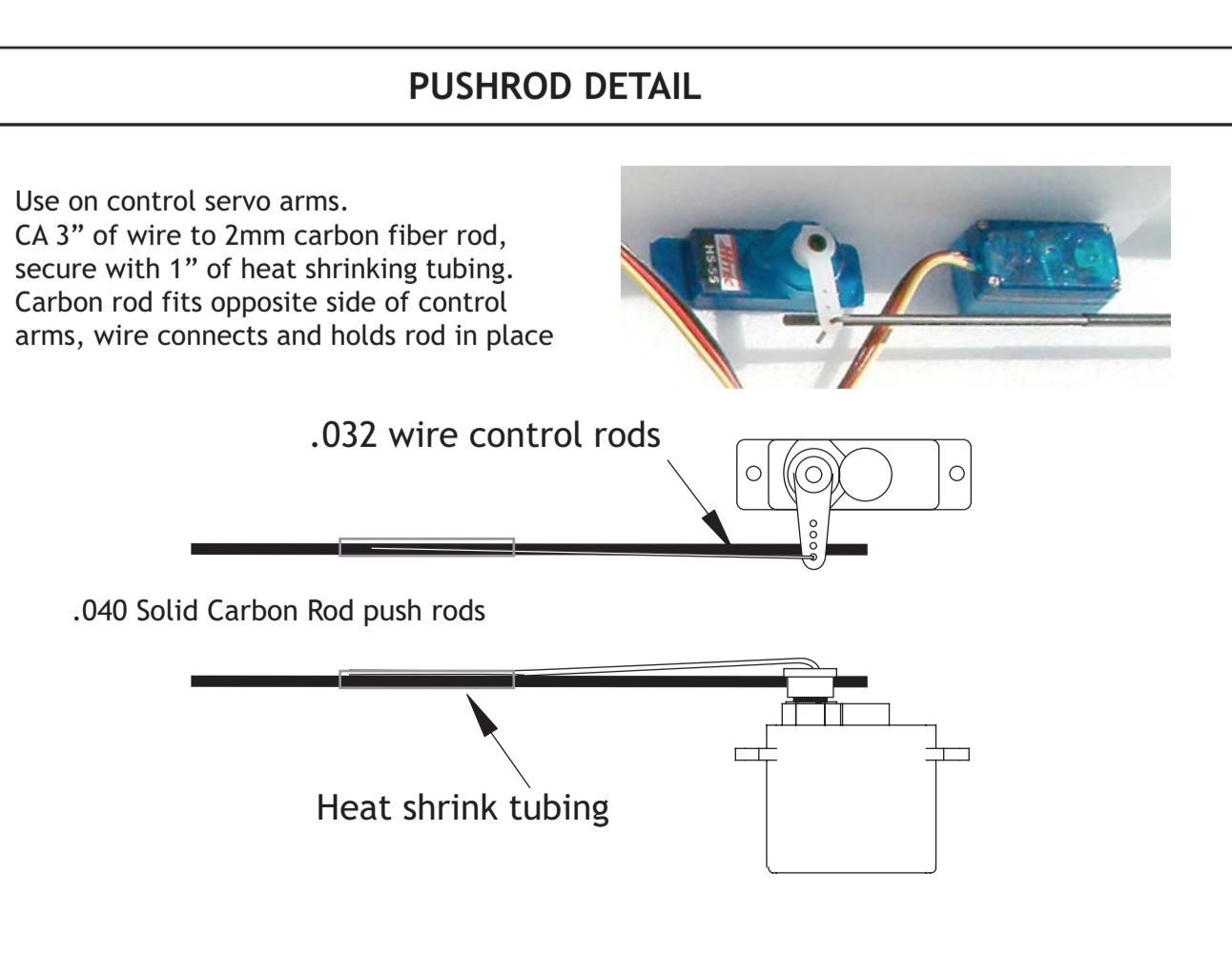
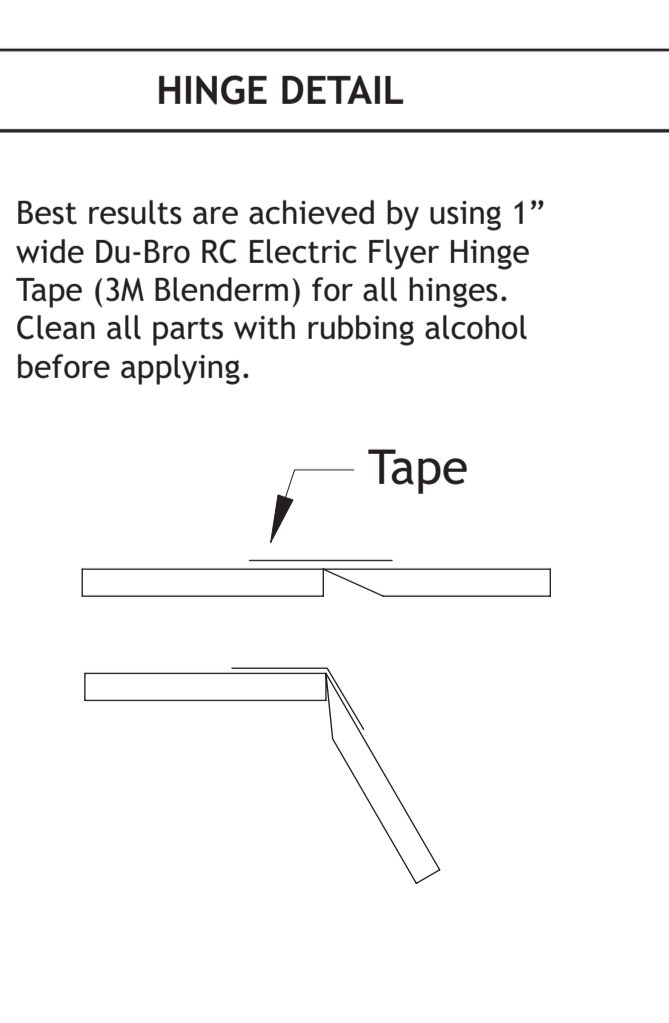
© Copyright 2005 3Dbatix.com. All rights reserved. rev-1.0305

FLIGHT SYSTEM RECOMMENDATIONS

Rx and Servos
 * GWS R-4PH 4ch receiver or equivalent
 * 4 Wuyipoint W-084 Micro Servos or Hitec HS 55
 Brushless Motor
 * AXI 2212/34 outrunner (max 3D performance)
 Speed Controller
 * Phoenix 25amp speed controller
 Battery
 * 3 Cell 700-1350mAh-11.1v Li-Poly (props)
 * GWS 12x6 Slow Flyer
 * APC 12x3.8 electric slow flyer

MATERIALS LIST

- * Depron 6mm/3mm White (www.depronusa.com)
- * Carbon Fiber Tube .157(3.9mm) x 30" (wing tube)
- * .040 Solid Carbon Rod (push rods + stab support) or... optional 3mm flat carbon rod tab support
- * .080 Solid Carbon Rod (landing gear support)
- * Medium or Thick foam friendly CA
- * Foam friendly CA accelerator
- * JZ Products Super RC "Z" 56 glue
- * 1" Self-sticking Hook & Loop (Velcro-Industrial Strength) tape
- * Clear packing tape
- * 4-E-flite Micro Control Horns No. EFLA200
- OR... 4 Du-Bro Micro Control Horns No. 848
- * 4 Du-Bro Micro E/Z Links No. 849
- * .032 wire control arms
- * Du-Bro RC Electric Flyer Hinge Tape (3M Blenderm)
- * Zagi tape for trim scheme (optional)
- * Straight edge razor-blades
- * No. 11 Xacto knife
- * Metal yardstick
- * 3M Photomount Spray Adhesive (see glue transfer to hinges)



BUILDING & FINISHING DETAILS

Lightly coat back of plan parts with Spray Adhesive, apply each part to Depron. Carefully cut each part out using a straightedge and #11 blade.

A Rotary Tool Cutting Adapter is perfect for clean easy-to-make grooves for Fiber Carbon rod stiffeners.

Speed controls, Rx and rudder/elevator servos. Note landing gear set up.

Non-functional landing gear setup. Adds to the overall flight characteristics.

Use speed control and Rx locations. Battery is on the opposite side.

Colored Zagi tape works great for trim. It's best to work each part before assembly.